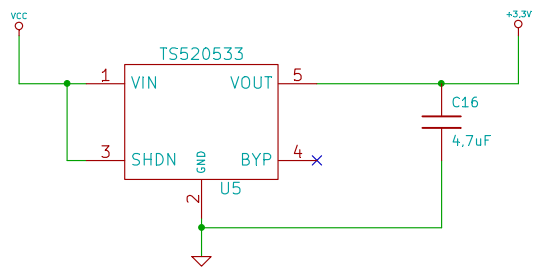
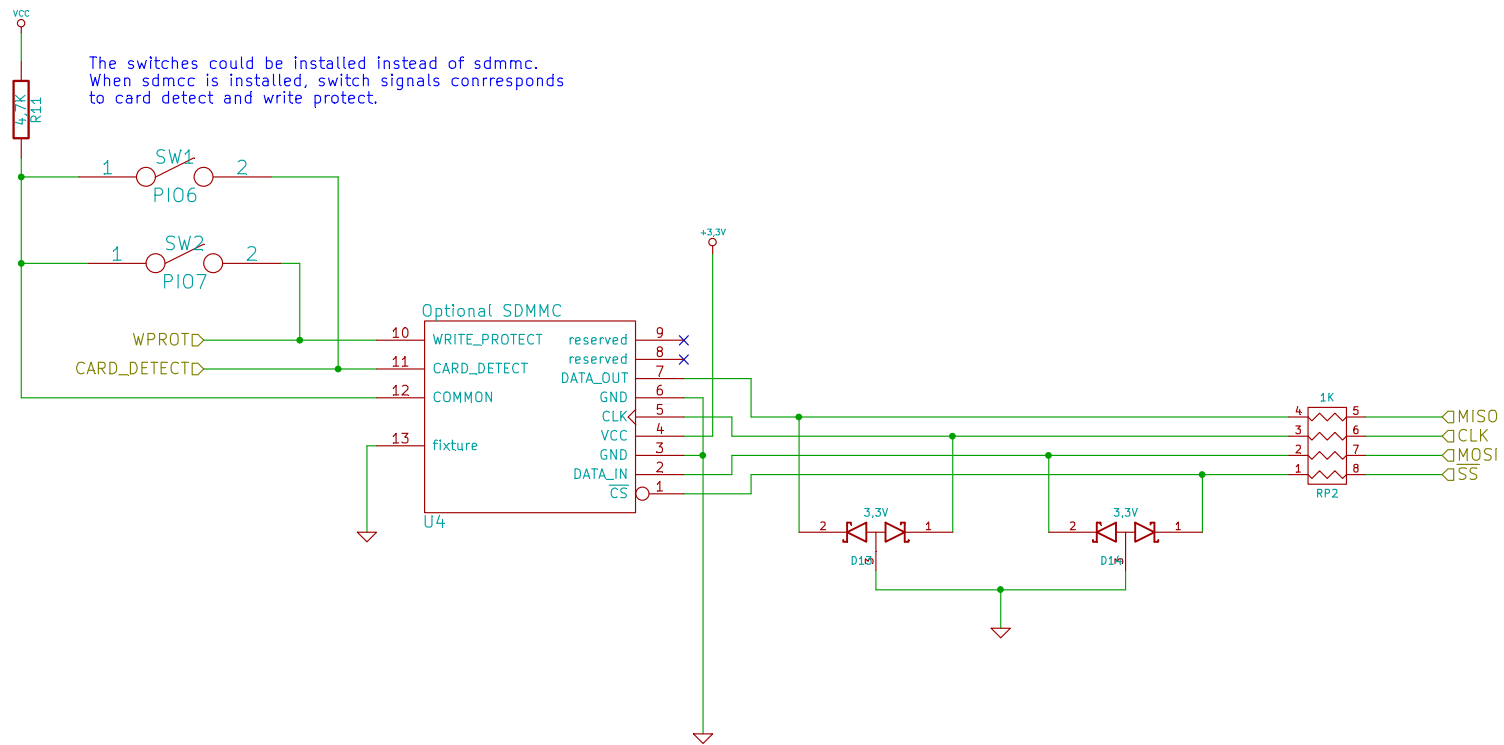


Optional pullup's are needed when using I<sup>2</sup>c



www.brain4home.eu	
File: bae0911-railbox.sch	
Sheet: /	
Title: BAE0911 for railbox	
Size: A4	Date: 17 nov 2010
KiCad E.D.A. eeschema (2010-05-05 BZR 2356)-stable	
Rev: 0.12	
Id: 1/2	



<a href="http://www.brain4home.eu">www.brain4home.eu</a>		
File: sdreader.sch		
Sheet: /sdreader/		
<b>Title: Optional SD CARD reader for BAE0911</b>		
Size: A4	Date: 17 nov 2010	<b>Rev: 0.11</b>
KiCad E.D.A. eeschema (2010-05-05 BZR 2356)-stable		Id: 2/2